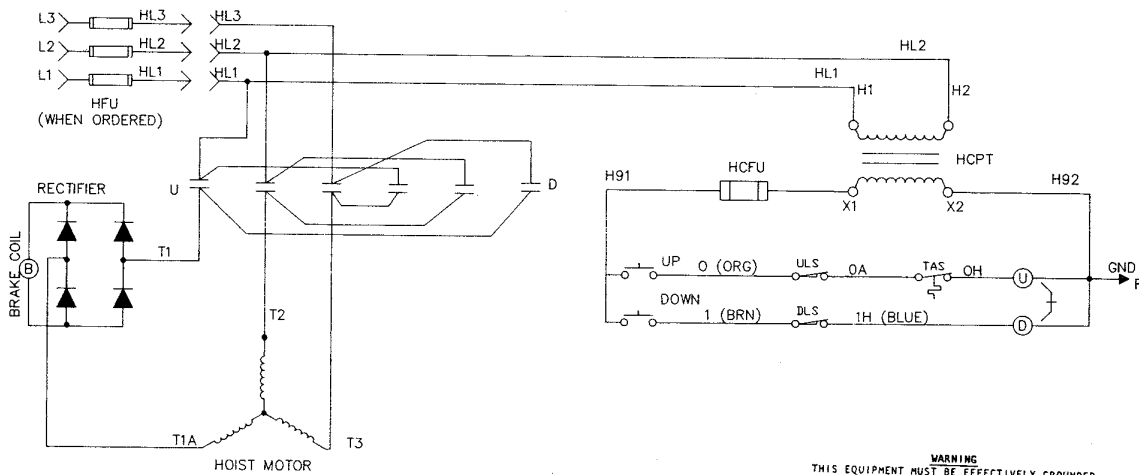


BUDGIT® Electric Hoist Wiring Diagrams

SINGLE VOLTAGE, 3 PHASE, SINGLE SPEED HOIST

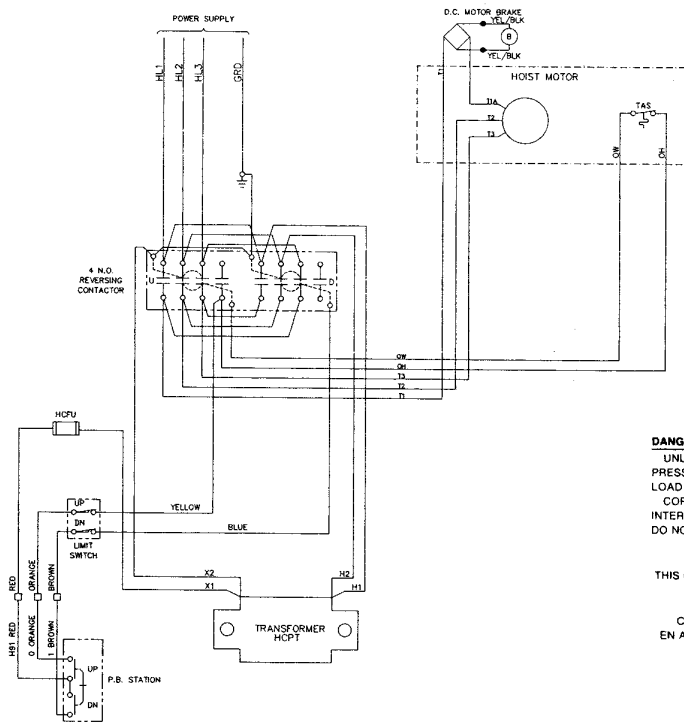
ELEMENTARY DIAGRAM



WARNING
THIS EQUIPMENT MUST BE EFFECTIVELY GROUNDED
ACCORDING TO APPLICABLE CODES
AVERTISSEMENT
CET EQUIPEMENT DOIT ETRE MIS A LA TERRE
EN ACCORDANCE AVEC LES NORMES EN VIGUEUR

228204-01

WIRING DIAGRAM



DANGER:
UNLESS HOOK RAISES WHEN "UP" BUTTON IS
PRESSED SEVERE HOIST DAMAGE AND A DROPPED
LOAD MAY RESULT.
CORRECT IMPROPER HOOK DIRECTION BY
INTERCHANGING INPUT POWER LEAD L1 WITH L3
DO NOT CHANGE PUSHBUTTON WIRING

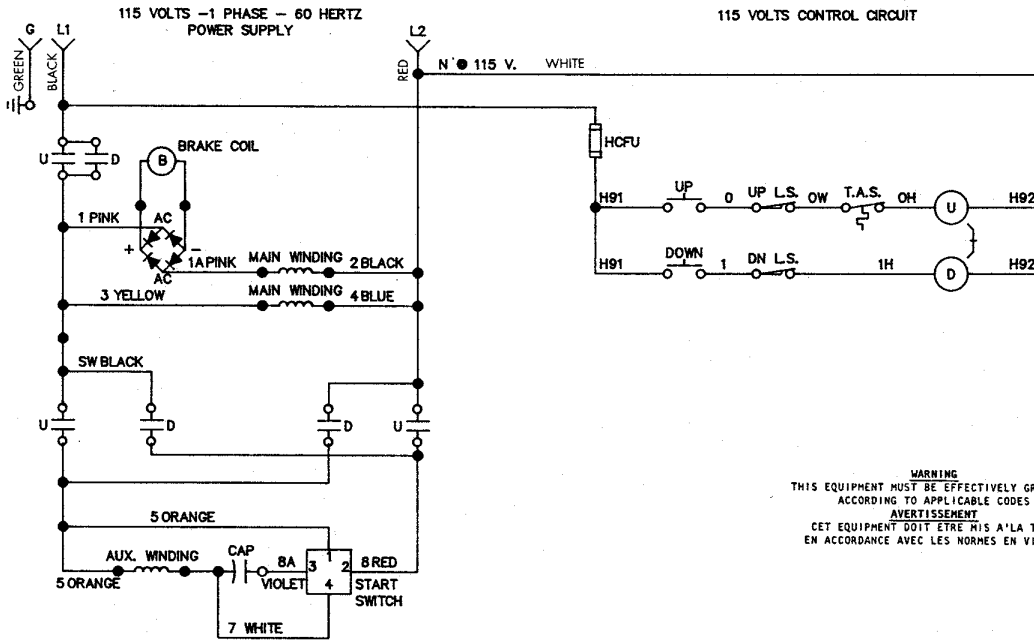
WARNING
THIS EQUIPMENT MUST BE EFFECTIVELY GROUNDED
ACCORDING TO APPLICABLE CODES
AVERTISSEMENT
CET EQUIPEMENT DOIT ETRE MIS A LA TERRE
EN ACCORDANCE AVEC LES NORMES EN VIGUEUR

330565-03

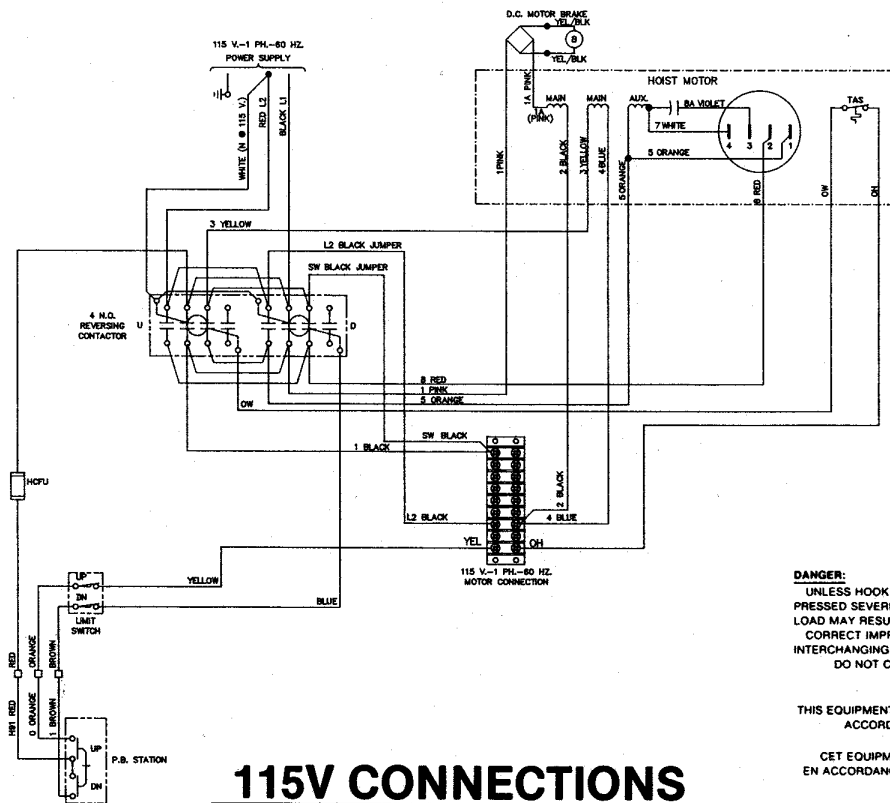
115/230 VOLT RECONNECTABLE, 1 PHASE, SINGLE SPEED HOIST

TO CUSTOMER'S BRANCH
CIRCUIT OVERCURRENT
PROTECTION & DISCONNECT

ELEMENTARY DIAGRAM

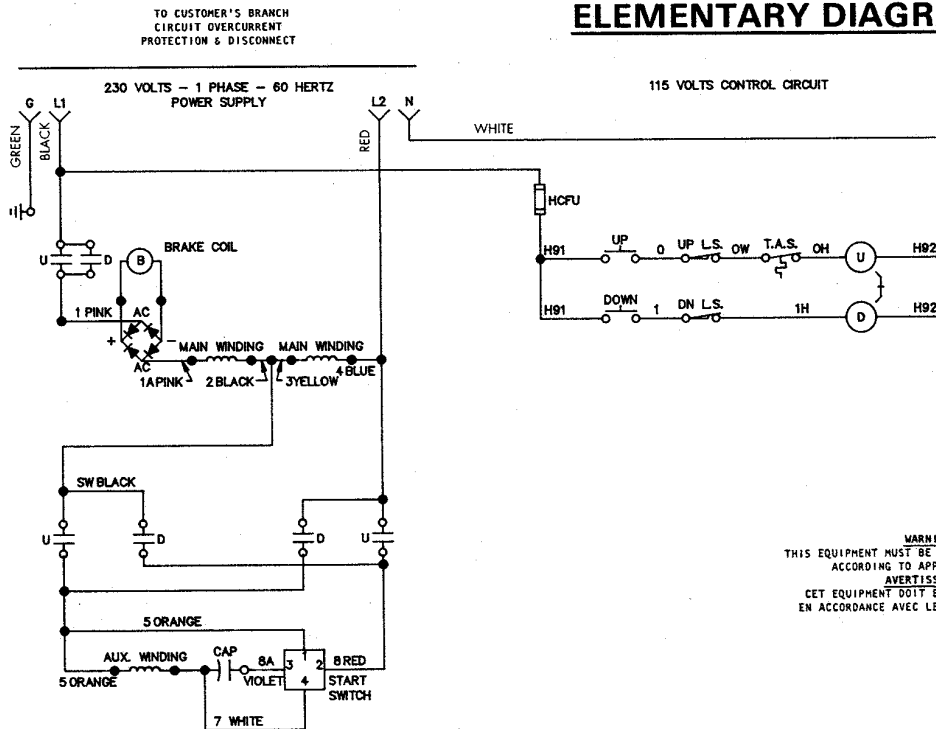


WIRING DIAGRAM

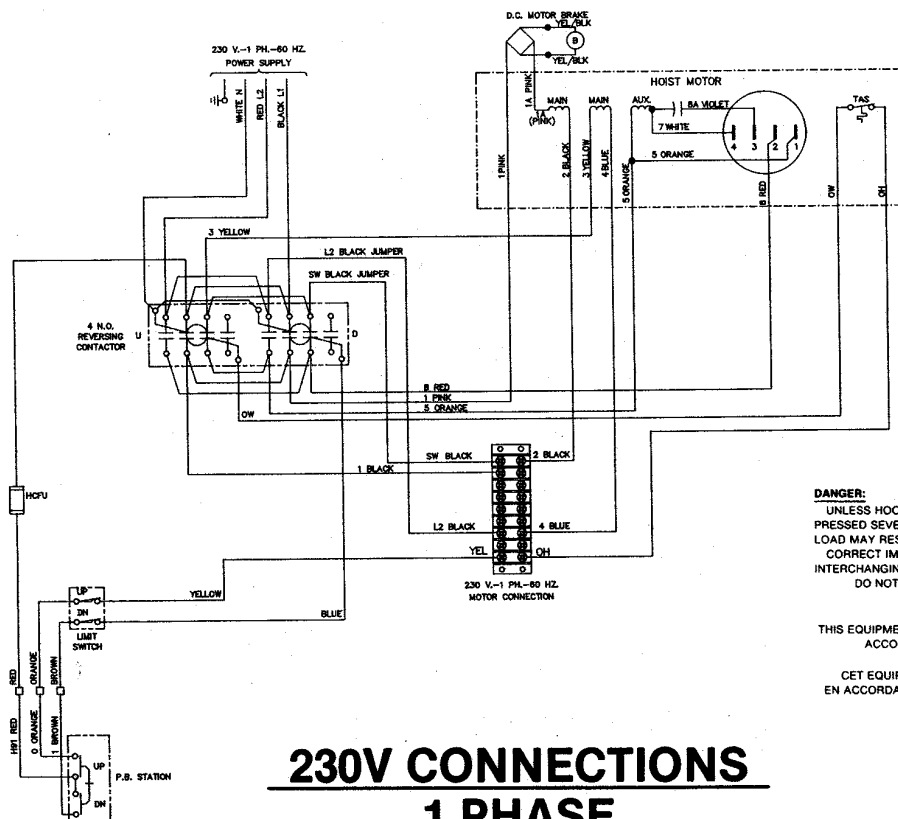


115/230 VOLT RECONNECTABLE, 1 PHASE, SINGLE SPEED HOIST

ELEMENTARY DIAGRAM

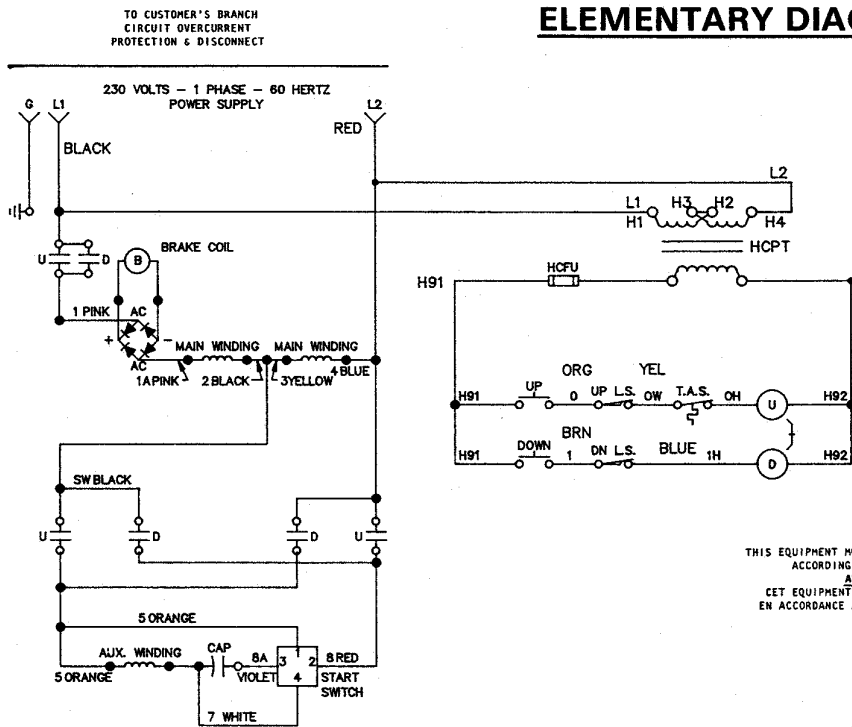


WIRING DIAGRAM



115/230 VOLT RECONNECTABLE, 1 PHASE, SINGLE SPEED HOIST WITH TRANSFORMER

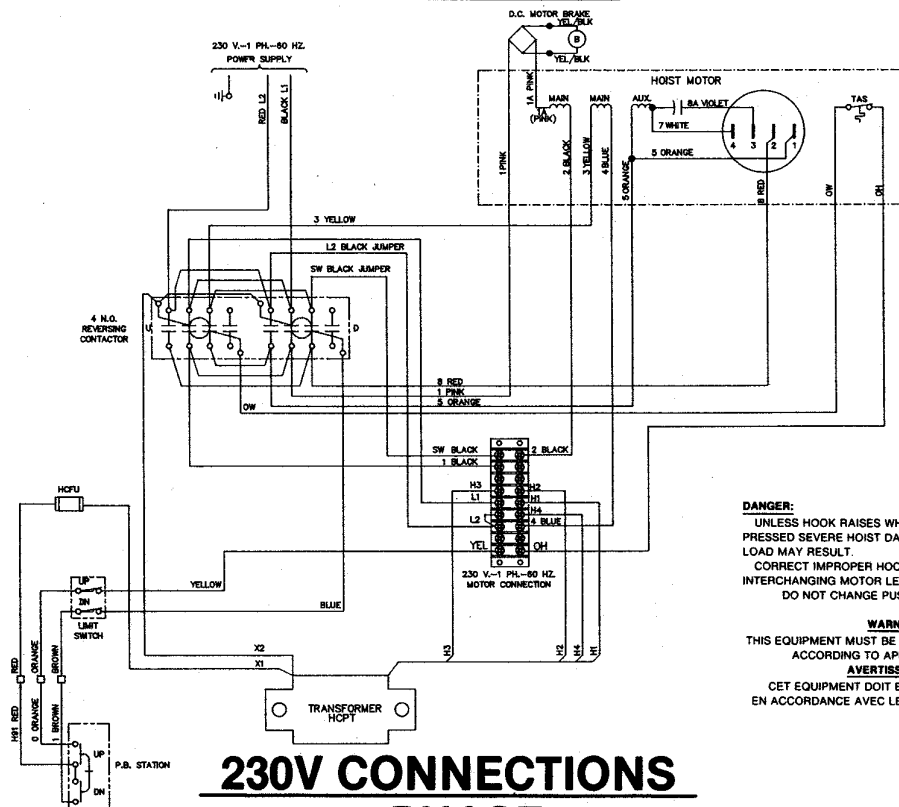
ELEMENTARY DIAGRAM



WARNING
THIS EQUIPMENT MUST BE EFFECTIVELY GROUNDED
ACCORDING TO APPLICABLE CODES
AVERTISSEMENT
CET EQUIPEMENT DOIT ETRE MIS A LA TERRE
EN ACCORDANCE AVEC LES NORMES EN VIGUEUR

330174 SHT. 4

WIRING DIAGRAM



DANGER:
UNLESS HOOK RAISES WHEN "UP" BUTTON IS
PRESSED SEVERE HOIST DAMAGE AND A DROPPED
LOAD MAY RESULT.
CORRECT IMPROPER HOOK DIRECTION BY
INTERCHANGING MOTOR LEADS ORANGE & RED.
DO NOT CHANGE PUSHBUTTON WIRING.

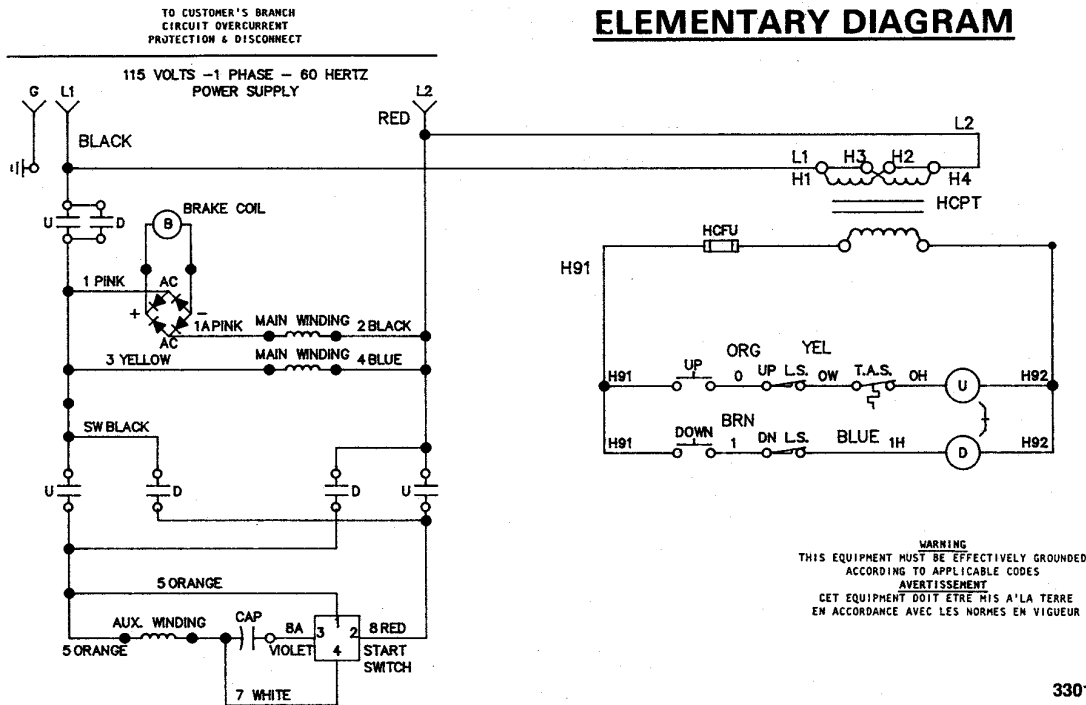
WARNING
THIS EQUIPMENT MUST BE EFFECTIVELY GROUNDED
ACCORDING TO APPLICABLE CODES
AVERTISSEMENT
CET EQUIPEMENT DOIT ETRE MIS A LA TERRE
EN ACCORDANCE AVEC LES NORMES EN VIGUEUR

230V CONNECTIONS 1 PHASE

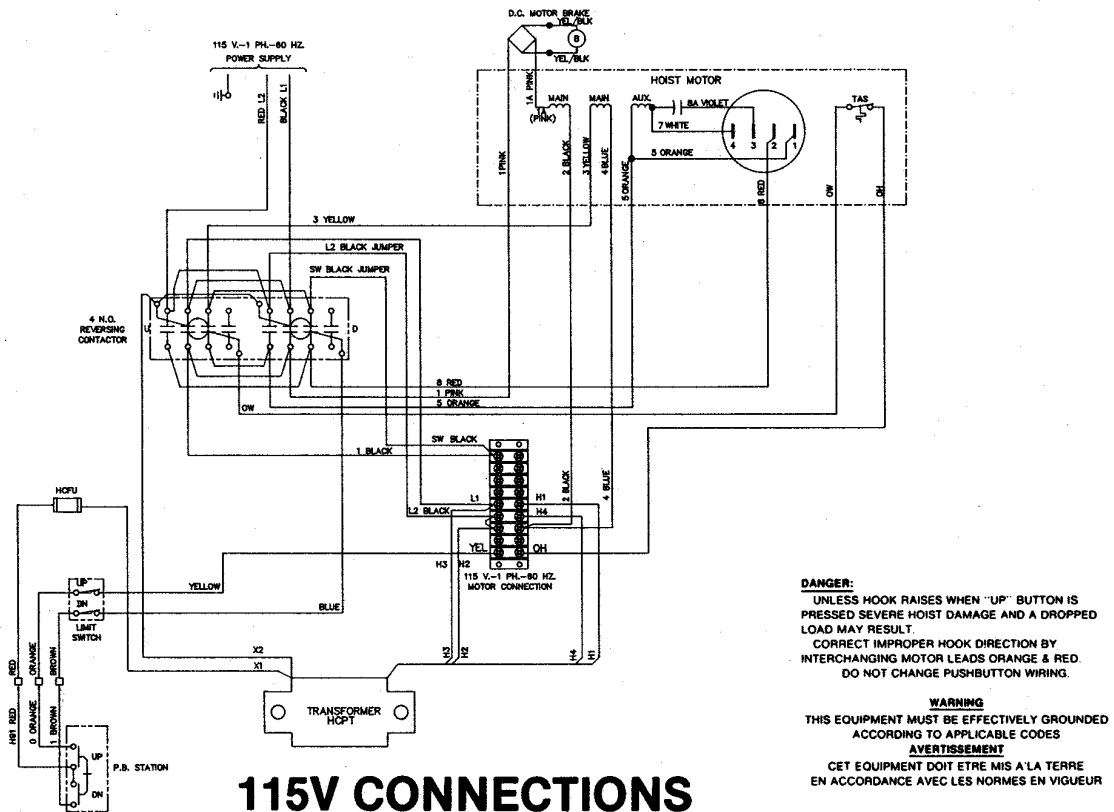
330174 SHT. 3

115/230 VOLT RECONNECTABLE, 1 PHASE, SINGLE SPEED HOIST WITH TRANSFORMER

ELEMENTARY DIAGRAM

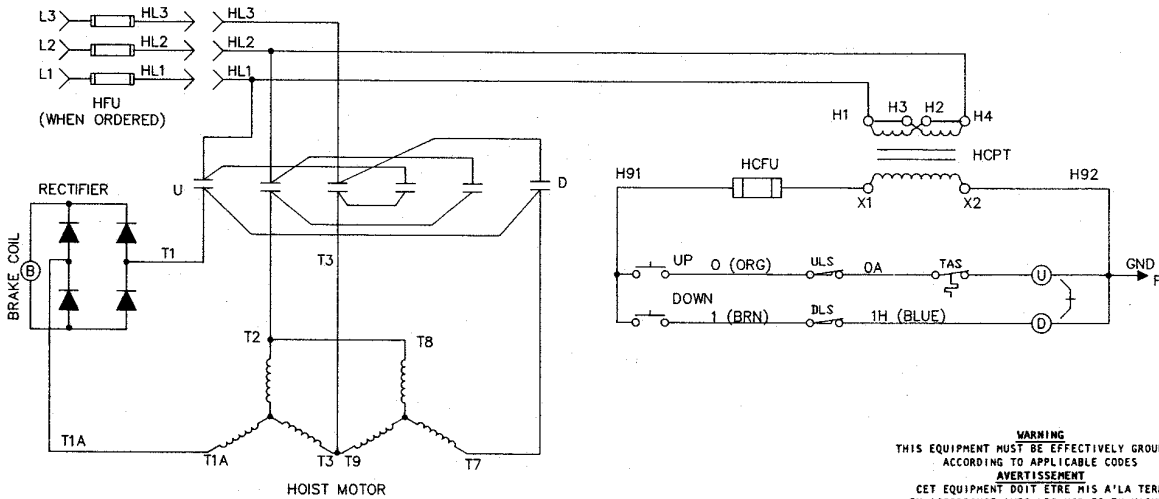


WIRING DIAGRAM



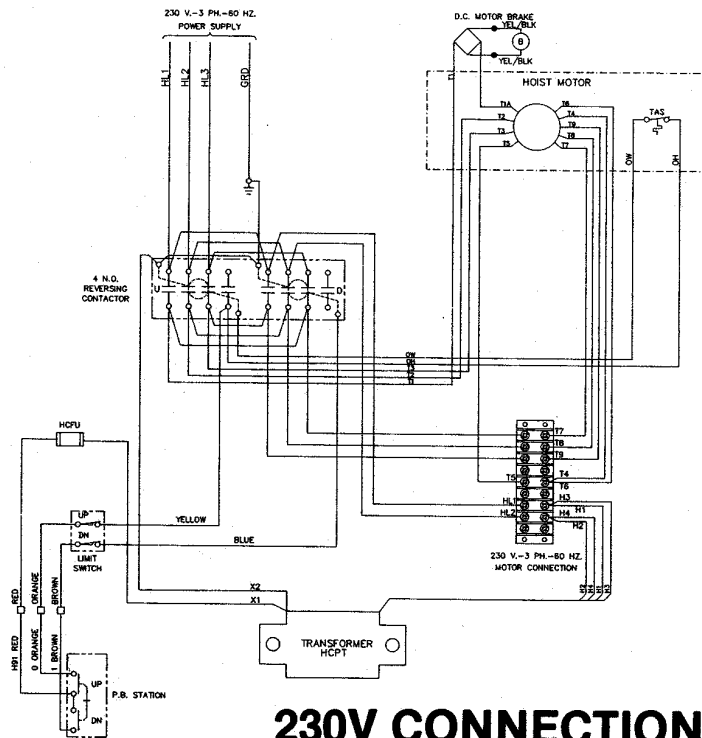
230/460 VOLT RECONNECTABLE, 3 PHASE, SINGLE SPEED HOIST

ELEMENTARY DIAGRAM



228260-01
REV. 1

WIRING DIAGRAM



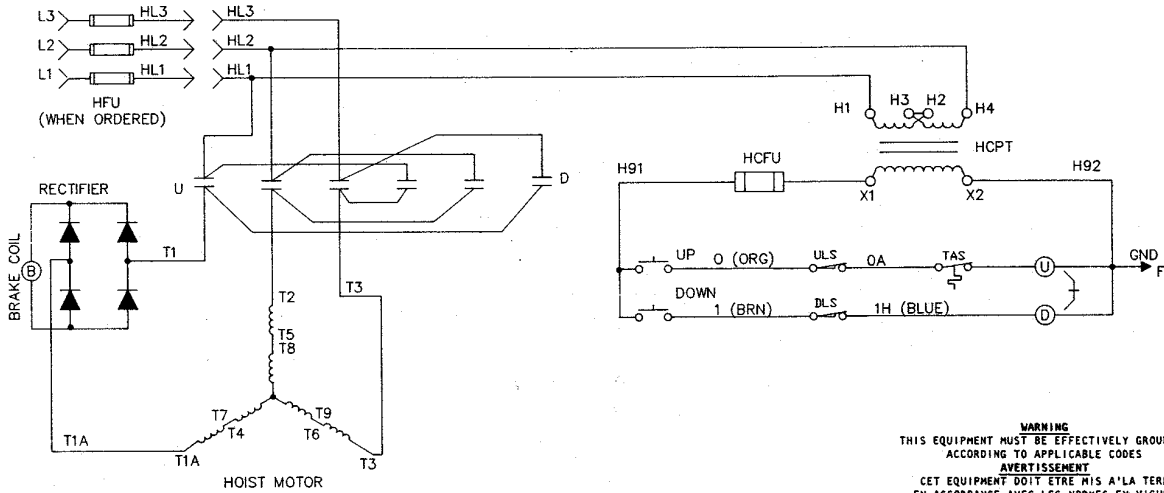
DANGER:
UNLESS HOOK RAISES WHEN "UP" BUTTON IS
PRESSED SEVERE HOIST DAMAGE AND A DROPPED
LOAD MAY RESULT.
CORRECT IMPROPER HOOK DIRECTION BY
INTERCHANGING INPUT POWER LEAD L1 WITH L3
DO NOT CHANGE PUSHBUTTON WIRING.

WARNING
THIS EQUIPMENT MUST BE EFFECTIVELY GROUNDED
ACCORDING TO APPLICABLE CODES
AVERTISSEMENT
CET EQUIPEMENT DOIT ETRE MIS A LA TERRE
EN ACCORDANCE AVEC LES NORMES EN VIGUEUR

330565-01

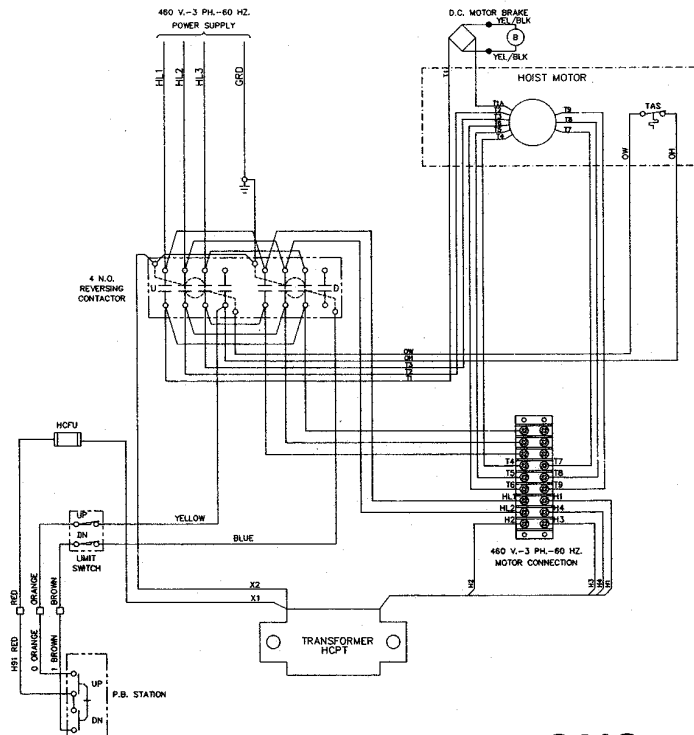
230/460 VOLT RECONNECTABLE, 3 PHASE, SINGLE SPEED HOIST

ELEMENTARY DIAGRAM



228261-01

WIRING DIAGRAM

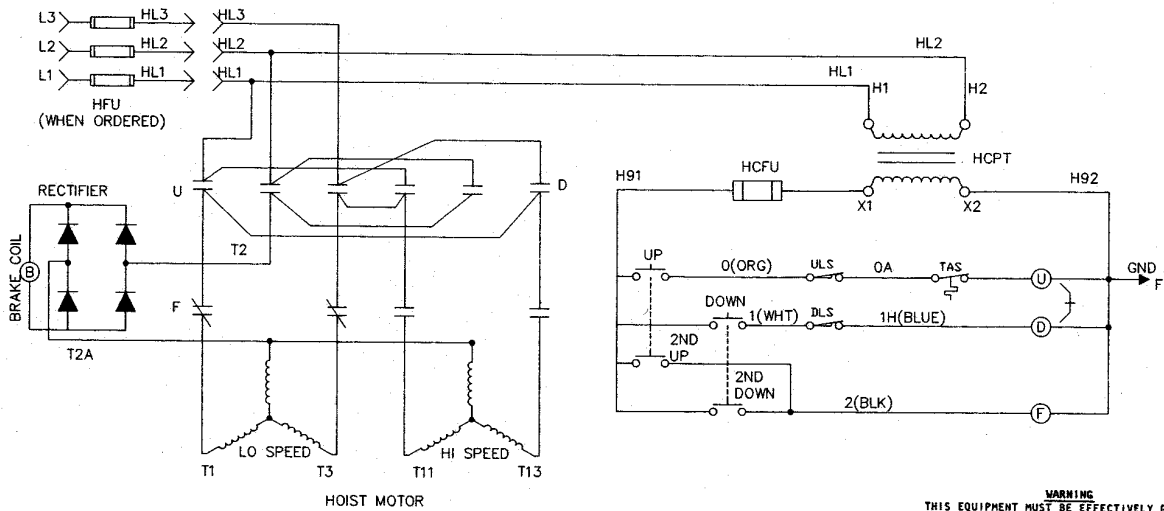


460V CONNECTIONS

330565-02

SINGLE VOLTAGE, 3 PHASE, TWO SPEED HOIST

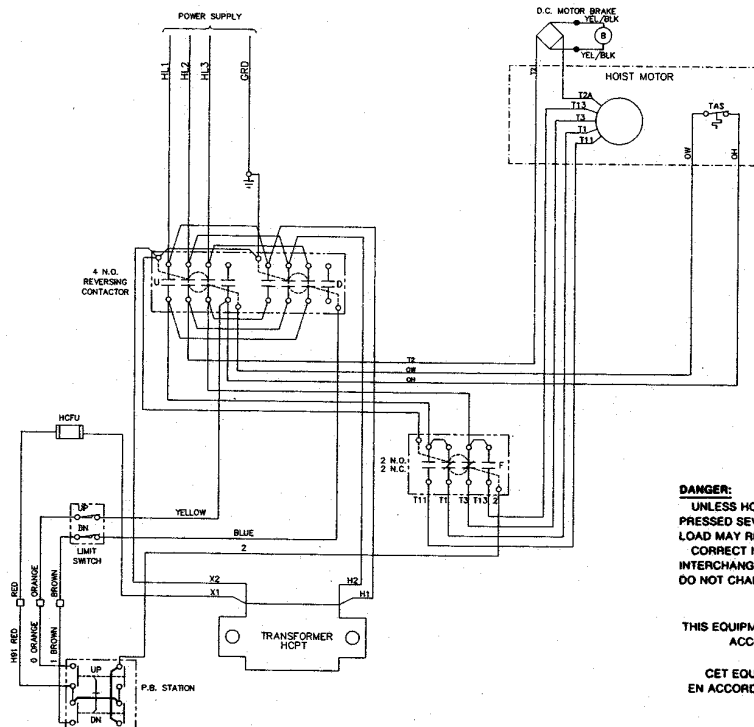
ELEMENTARY DIAGRAM



WARNING
THIS EQUIPMENT MUST BE EFFECTIVELY GROUNDED
ACCORDING TO APPLICABLE CODES
AVERTISSEMENT
CET EQUIPEMENT DOIT ETRE MIS A LA TERRE
EN ACCORDANCE AVEC LES NORMES EN VIGUEUR
228196-01

REV.1

WIRING DIAGRAM



DANGER:
UNLESS HOOK RAISES WHEN "UP" BUTTON IS
PRESSED SEVERE HOIST DAMAGE AND A DROPPED
LOAD MAY RESULT.
CORRECT IMPROPER HOOK DIRECTION BY
INTERCHANGING INPUT POWER LEAD L1 WITH L3.
DO NOT CHANGE PUSHBUTTON WIRING.

WARNING
THIS EQUIPMENT MUST BE EFFECTIVELY GROUNDED
ACCORDING TO APPLICABLE CODES
AVERTISSEMENT
CET EQUIPEMENT DOIT ETRE MIS A LA TERRE
EN ACCORDANCE AVEC LES NORMES EN VIGUEUR